



# CAMERA HOLDER WITH HEAT SINK

## Datasheet

12/2020

**atesystem**   
FOCUSED ON **DETAIL**

---

**ATEsystem s.r.o.**  
Studentska 6202/17  
708 00 Ostrava-Poruba  
Czech Republic

**M** +420 595 172 720  
**E** [atesystem@atesystem.cz](mailto:atesystem@atesystem.cz)  
**W** [www.atesystem.cz](http://www.atesystem.cz)

## 1 KEY FEATURES

- Designed for cameras with dimensions of 29 x 29 mm, e.g. Basler ace, JAI Go, AVT Mako
- Suitable for Gigabit Ethernet and USB 3.0 camera types.
- Reduces working temperature by 5 °C.
- Improves image quality by reducing thermal noise.
- Extends camera life and improves overall performance.
- Holder without heat sink can be used if there is only limited space available.



Fig. 1 - Holder with heat sink and mounted Basler ace camera

## 2 PRODUCT DESCRIPTION

The camera holder with heat sink consists of four aluminum parts, which are fastened together by screw connections. The heat sink's side panels have milled ribs to maximize the cooling surface. Thanks to its oversize, the heat sink is also suitable for PoE cameras that are characterized by higher power dissipation. The surface finish of all parts is black matt elox, which increases scratch resistance while improving cooling efficiency by radiating heat to the surrounding area.

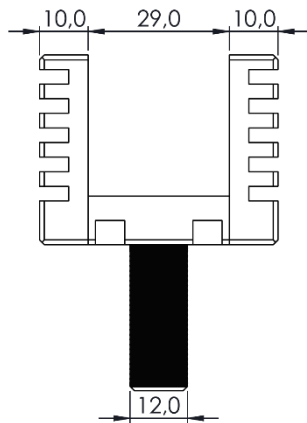
Parameter	Value
Dimensions without mounting rod	49 x 39 x 42 mm
Mounting rod length x diameter	30 x 12 mm
Camera front dimensions	29 x 29 mm
Weight	105 g

Tab. 1 – Heat sink parameters

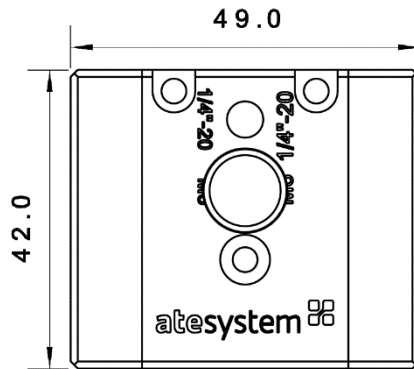
The camera holder with heat sink is designed to be easily used with the standard Balluff fastening system. For this purpose, 12 mm diameter mounting rod is used, which fits perfectly into the fasteners.

### 3 MOUNTING DRAWINGS

Front view:

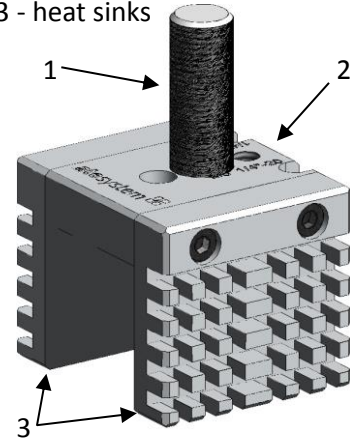


Bottom view:



3D view:

1 - mounting rod, 2 - base,  
3 - heat sinks



### 4 COOLING EFFICIENCY

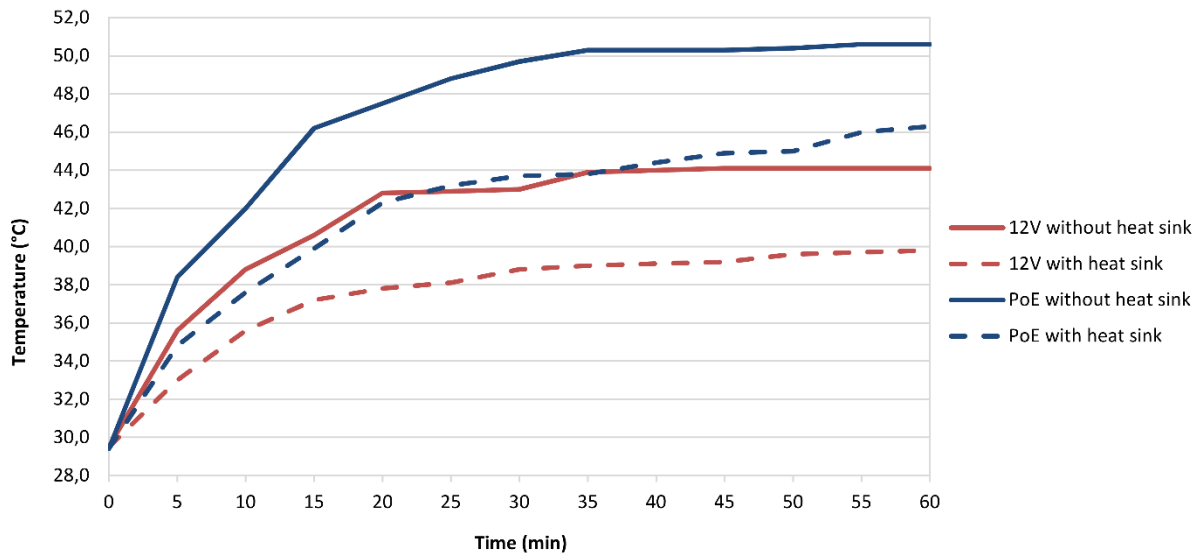
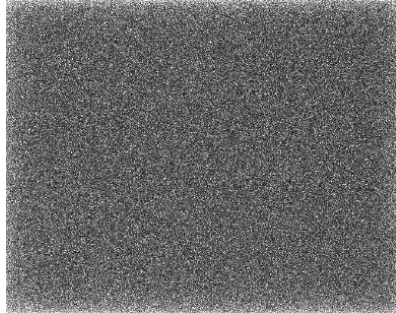


Fig. 2 – Warming graph of acA1920-50gm camera

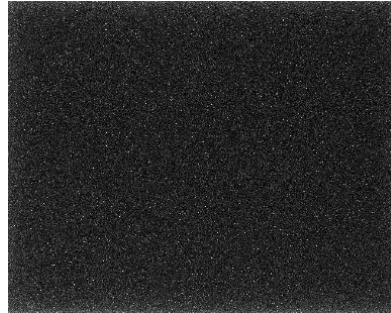
The graph in Fig. 2 shows the temperature rise in time and the operating temperature of the camera after 1 hour. Measurements were performed on cameras powered by 12V source and by PoE. The ambient temperature during measurement was 25 °C.

## 5 THERMAL NOISE EXAMPLES

Camera image without heat sink,  
camera temperature 50.6 °C



Camera image with heat sink,  
camera temperature 46.3 °C



**Used set:** Camera Basler acA1920-50gm (CMOS), exposure time 10 s, maximum gain, after operating 1 hour at ambient temperature 25 °C.

## 6 PRODUCT OPTIONS

Order number	Product code	Description
60259002	PDACHB0002	Camera holder with heat sink
60259012	PDACHB0102	Camera holder without heat sink

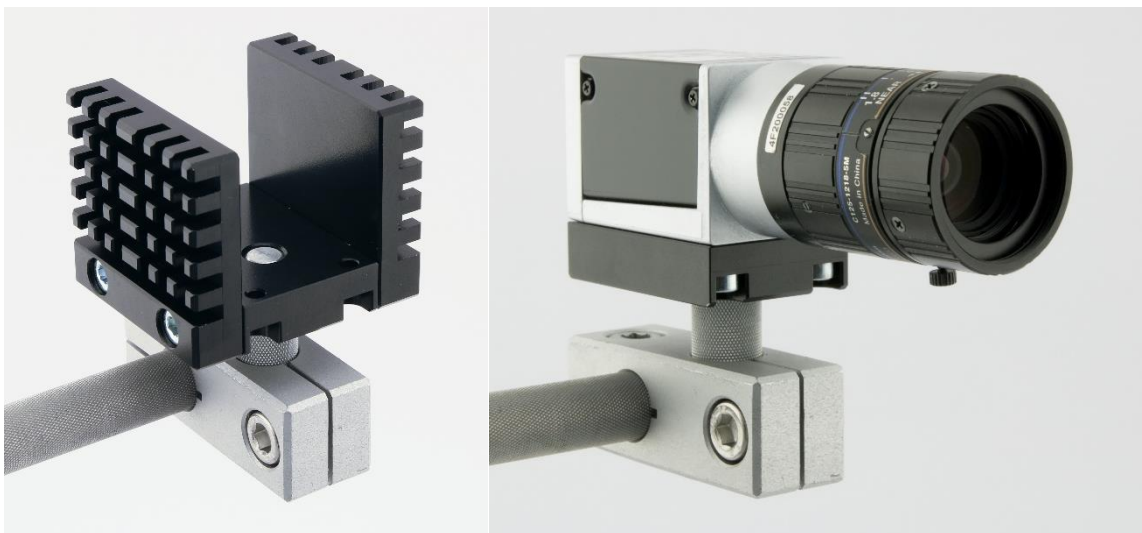


Fig. 3 – Left: holder with heat sink without camera,  
Right: holder with mounted camera