



Rod M8 12x40mm for cameras heatsink and holder

Datasheet

8/2023

atesystem 
FOCUSED ON **DETAIL**

ATEsystem s.r.o.
Technologicka 375/3
708 00 Ostrava-Pustkovec
Czech Republic

T +420 595 172 720
E atesystem@atesystem.cz
W www.atesystem.cz

OBSAH

1 KEY FEATURES..... 4

2 PRODUCT DESCRIPTION 4

3 DRAWINGS 5

4 PRODUCT OPTIONS..... 5

1 KEY FEATURES

- Compatible with Balluf fastening technology
- Usable for our camera heatsink and holder

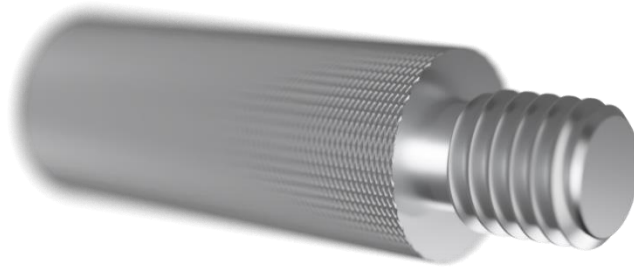


Fig. 1 – Rod

2 PRODUCT DESCRIPTION

The rod is designed for using with our camera heatsink and holder. Recommended use is with Balluff fastening products.

Parameter	Value
Rod length (without thread) x diameter	39,5 (30) x 12 mm
Types of threads	M8x1,25
Weight	9,48 g

Tab. 1 – Rod parameters

3 DRAWINGS

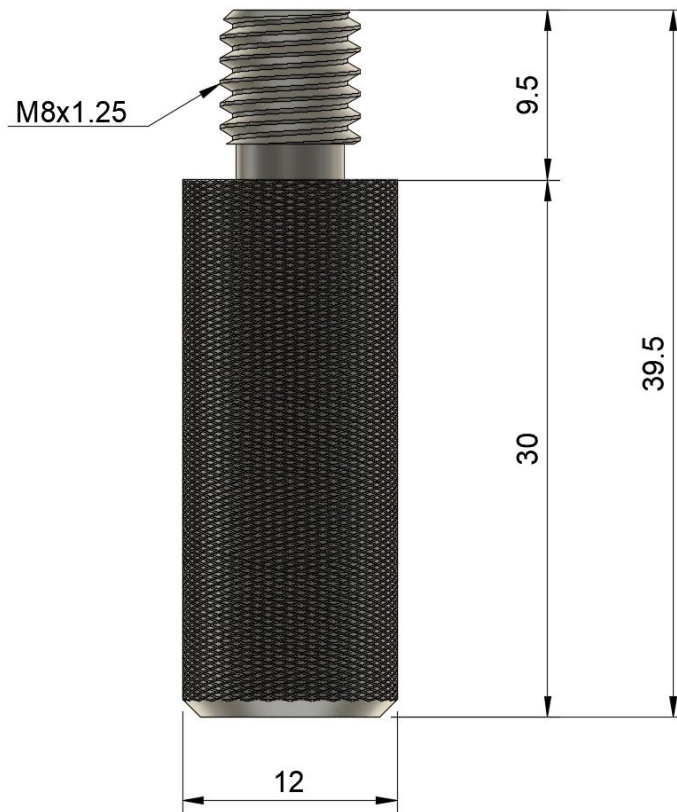





Fig. 2 - Dimension

4 PRODUCT OPTIONS

Order number	Description	Image
62025003	Universal camera heat sink Package: 2x side heatsink, 1x holder, 4x M4x10, 3x M3x8	
62025001	Universal camera holder Package: 1x holder, 3x M3x8	
62025004	Rod for holder M8 D12x40mm	

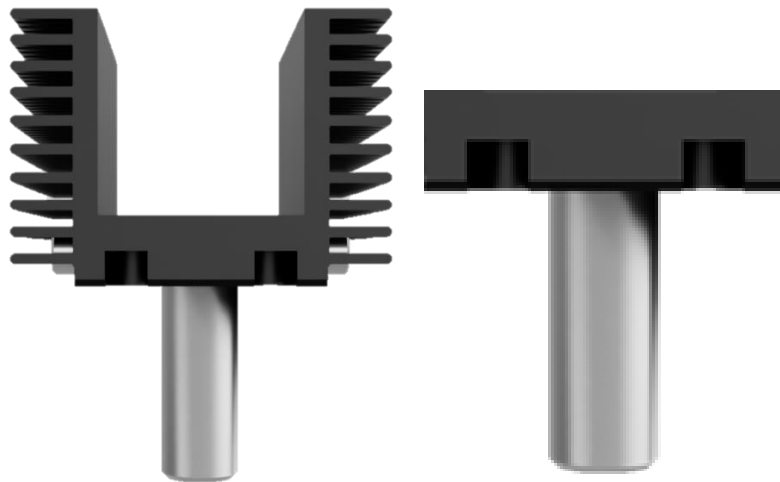


Fig. 3 – Left: Front view of the heat sink, right: Front view of the holder